

/ Perfect Welding / Solar Energy / Perfect Charging



FCW 650

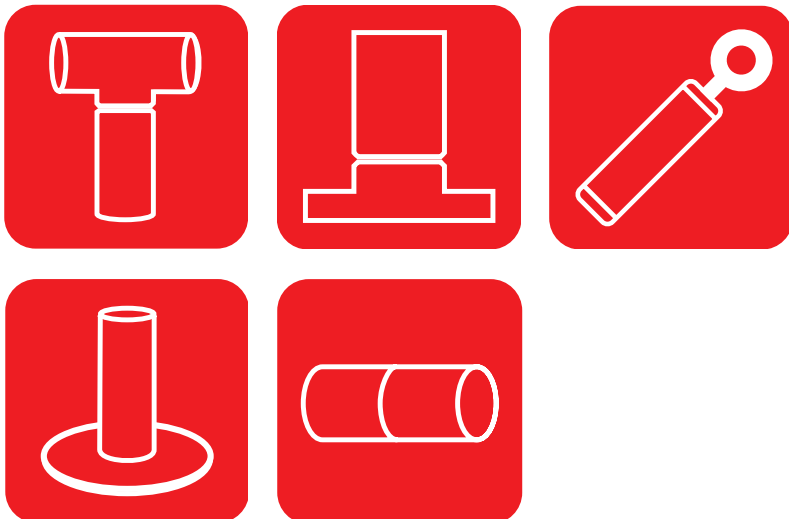
Compact circular welding system – MIG / MAG, TIG / TIG CW

TOP QUALITY CIRCULAR SEAMS. ALWAYS REPRODUCIBLE. COST-EFFICIENT & COMPACT.

The FCW 650 circular welding system enables reproducible, high-quality circumferential seams at the push of a button. All system components are combined on a compact, mobile platform and allow rapid adaptation to different applications.

What's your
Welding Challenge?
Let's get connected.

APPLICATION EXAMPLES



EVERYTHING UNDER CONTROL

The compact FCU-20 control unit controls the entire welding sequence according to its stored programs: Automatic torch feed, start of the welding process and monitoring of the exact welding speed.

QUICK POSITIONING & SECURE FIXATION

The welding head can be quickly positioned using the manual column & boom. A pneumatic slide moves the torch into the welding position. An optional motorized slide for arc length control (AVC) is available for the TIG version.



TIG weldhead with AVC slide

TIG / TIG CW OR MIG /MAG

The FCW 650 welding system is available as TIG/TIG CW or as MIG/MAG version. Both have one thing in common: The world's leading power source technology from FRONIUS!

PRECISION IN EVERY TURN

Turntables of the FTT series guarantee perfect adherence to specified rotation speeds - for optimum and reproducible welding quality. With a tilting range of 0 - 90°, the parts can be positioned individually. Various clamping systems are available for order.

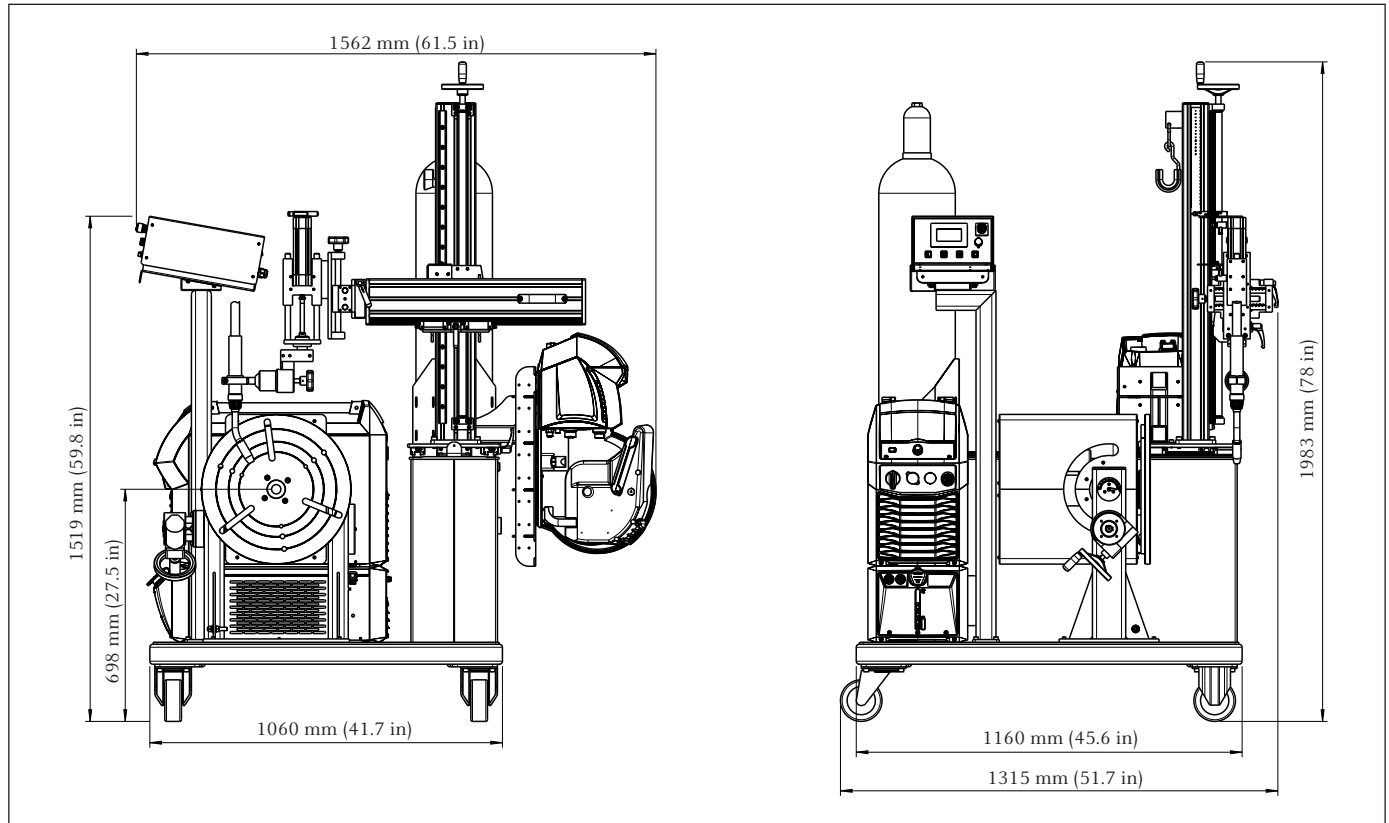


CONFIGURATIONS / FEATURES

	MIG / MAG	TIG / TIG CW	/ All system components are mounted on a compact base with wheels / One control unit for all system components / For steel & CrNi materials (1 layer) / Parts diameter range up to 650 mm / Parts weight up to 150 kg (FTT 150/MA) / Completely configured for TIG or MIG/MAG welding / Welding positions: PA, PB, PC
Power source	TPS 400i C PULSE	TransTIG 3000 Job G/F	
Cooling unit	CU 1100i	FK 2500 FC	
Machine torch	MTB 400i W	TTW 4000P-M-F++	
Wire feeder	WF 25i/4R/G/FSC	KD 4000 D-11	
Turntable	FTT 40/MA FTT 150/MA		

TECHNICAL DATA

	FCW 650 with FFT 40/MA	FCW 650 with FFT 150/MA
Dimensions	1315 x 1562 x 1983 mm (51.7 x 61.5 x 78 inch)	
Max. parts weight	40 kg (88 lbs)	150 kg (330 lbs)
Max. parts diameter	650 mm (25.6 inch)	650 mm (25.6 inch)
Weldable diameter TIG	3 - 300 mm (0.11 - 11.81 inch)	3 - 500 mm (0.11 - 19.68 inch)
Weldable diameter MAG	10 - 550 mm (0.39 - 21.65 inch)	5 - 650 mm (0.19 - 25.59 inch)
Rotation speed range	1.4 - 11.2 rpm	0.8 - 6.2 rpm
Max. torque	20 Nm (14.8 ft lb)	73 Nm (53.8 ft lb)



/ Perfect Welding / Solar Energy / Perfect Charging

THREE BUSINESS UNITS, ONE GOAL: TO SET THE STANDARD THROUGH TECHNOLOGICAL ADVANCEMENT.

What began in 1945 as a one-man operation now sets technological standards in the fields of welding technology, photovoltaics and battery charging. Today, the company has around 4,550 employees worldwide and 1,241 patents for product development show the innovative spirit within the company. Sustainable development means for us to implement environmentally relevant and social aspects equally with economic factors. Our goal has remained constant throughout: to be the innovation leader.

Further information about all Fronius products and our global sales partners and representatives can be found at www.fronius.com

v09 May 2018 EN

Fronius India Private Limited
 GAT no 312, Nanekarwadi
 Chakan, Taluka - Khed District
 Pune 410501
 India
 Telephone + 91 98 20 60 52 07
sales.india@fronius.com
www.fronius.in

Fronius (Thailand) Ltd.
 Pinthong Industrial Estate I
 789/193 Moo 1, Sriracha,
 Chonburi 20230
 Building: P17/B1
 Thailand
sales.Thailand@fronius.com
www.fronius.co.th

Fronius Middle East FZE
 P.O. Box: 263241
 Jebel Ali / JAFZA ONE BUILDING
 Dubai / U.A.E
 Telephone +971 (0) 56 499 8224
contact.middleeast@fronius.com
www.fronius.ae/pw

Fronius Canada Ltd.
 2875 Argentia Road, Units 4,5 & 6
 Mississauga, ON L5N 8G6
 Canada
 Telephone +1 905 288-2100
 Fax +1 905 288-2101
sales.canada@fronius.com
www.fronius.ca

Fronius USA LLC
 6797 Fronius Drive
 Portage, IN 46368
 USA
 Telephone +1 877 FRONIUS
sales.usa@fronius.com
www.fronius-usa.com

Fronius UK Limited
 Maidstone Road, Kingston
 Milton Keynes, MK10 0BD
 United Kingdom
 Telephone +44 1908 512 300
 Fax +44 1908 512 329
info-uk@fronius.com
www.fronius.co.uk

Fronius International GmbH
 Froniusplatz 1
 4600 Wels
 Austria
 Telephone +43 7242 241-0
 Fax +43 7242 241-953940
sales@fronius.com
www.fronius.com